

CATALOGUE

WINDOWS | DOORS | FACADES
MANUFACTURER

www.inwestprofil.pl

SALES OFFICES

Bajdy 206 k/Krosna

Tel./fax (13) 43 858 75, (13) 43 850 38

Jasło, ul. Kazimierza Wielkiego 11

Tel./fax (17) 78 508 70

Krosno, ul. Lwowska 10 A

Tel./fax (13) 43 270 48

Rzeszów, ul. Kwiatkowskiego 2 A

Tel./fax (17) 283 20 45

Sanok, ul. Jagiellońska 57

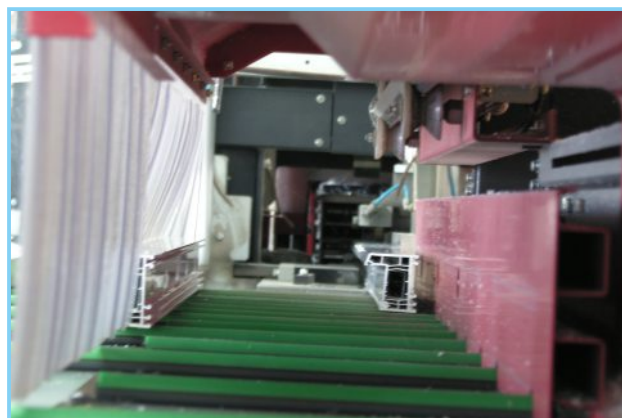
Tel./fax (13) 46 724 06

biuro@inwestprofil.pl

www.inwestprofil.pl

TABLE OF CONTENTS

- **ATTESTATIONS AND CERTIFICATES OF AUTHORIZATION** 3
- **ABOUT THE COMPANY** 4
- **HARDWARE** 5
- **ADDITIONAL OPTIONS** 6
- **PCV TECHNOLOGY** 8
- **WOOD TECHNOLOGY** 14
- **ALUMINIUM TECHNOLOGY** 16
- **WINTER GARDENS** 34
- **DOORS** 35
- **GARAGE AND INDUSTRIAL GATES** 36
- **WINDOWSILLS** 37
- **EXAMPLE OF IMPLEMENTATIONS** 38



INWEST-PROFIL

Our company has been established in 1994. Since the beginning of its operation, it has been focusing on production of wood joinery and facade systems.

Products of INWEST-PROFIL are appreciated by numerous customers both in Poland and abroad, e.g. in countries such as Germany, France, Great Britain or Italy.

Our production facility is equipped with automated machinery. Production lines consist of specialised, computer-controlled Italian and German machines operated by qualified personnel, which ensures high quality of created products. Currently, Inwest-Profil employs approximately 150 people.

Through cooperation with renowned suppliers of components, e.g.: Rehau, Winkhaus Polska, Effector S.A., Schuring Polska, Pilkington, Aluprof, Aliplast, AGC Opatów, we can provide our Customers with products that meet the most significant quality, safety, energy efficiency, and functionality requirements and feature an aesthetic appearance at affordable prices.

Our product range includes:

- PVC, wooden and aluminium windows and doors
- Aluminium structures and facades
- Aluminium and wooden joinery
- Fire protection aluminium joinery



We implement individual orders and are able to meet even the most demanding tastes.

Feel free to contact us.

WE WORK WITH THE BEST PARTNERS

For many years, we have been cooperating with WINKHAUS POLSKA – a global producer of window and door hardware, which solutions are used in our systems.

Winkhaus Polska Beteiligungs is one of the leading companies of WINKHAUS GROUP – a German manufacturer of building hardware known all over Europe.

The basic production profiles include: production of modern window multi-point locking hardwares, production of door locks, lock cylinders and master key systems.

160 years of tradition and innovation.

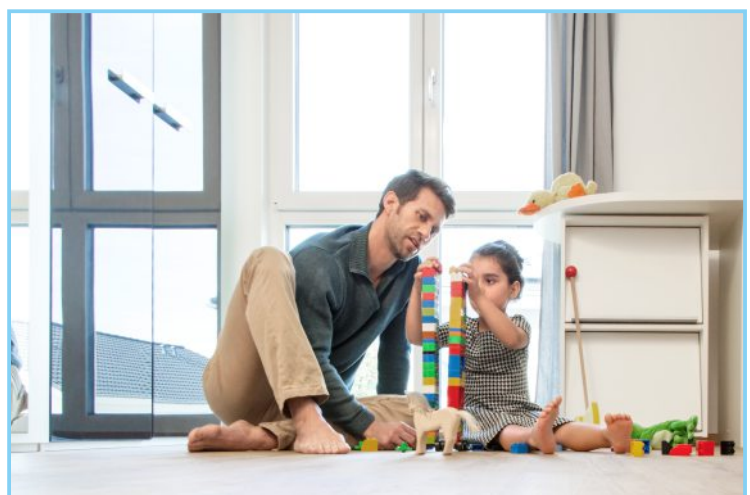
Since 160 years, Winkhaus has been focusing on an uncompromising quality, and has been successful at that. By introducing numerous innovations, the company continues to increase quality standards. Winkhaus products provide the highest level of technological advancement in the industry of hardwares and protection of windows and doors. The registered office of the company is located in Telgte (Germany), and its foreign companies operate in 8 countries.



INNOVATIONS, NOVELTIES AND ADDITIONAL OPTIONS

- **Smart glazing**
A unique technology of automated control of glass transparency, light intensity, UV rays, glow and heat, factors that penetrate through windows of houses, offices or other rooms.
- **4-glass package**
A new generation of maximum energy efficient windows.
- **Passive systems**
Passive windows technology is the most advanced form of energy efficient windows, which meets the highest requirements related to heat protection of buildings.
- **Hidden hardwares**
A new technology of mounting of completely invisible hardwares, which allows to design windows according to individual tastes and sense of beauty of a customer.
- **ActivPilot Comfort**
During cold seasons of a year, ventilation of rooms causes significant energy losses. ActivPilot Comfort hardware allows to minimise those losses due to exchange of air using the laws of physics.
- **DuoPort PAS**
A sliding hardware with a function to position a casement in parallel against the frame.
- **„Blue“ systems**
Multi-point locks with electric drive allow for very simple and comfortable opening and closing of entrance door from a distance using various access devices.

- **Additions**
 - Ventilators
 - "Hot frame" system
 - Roller blinds
 - Shutters
 - Mosquito screens

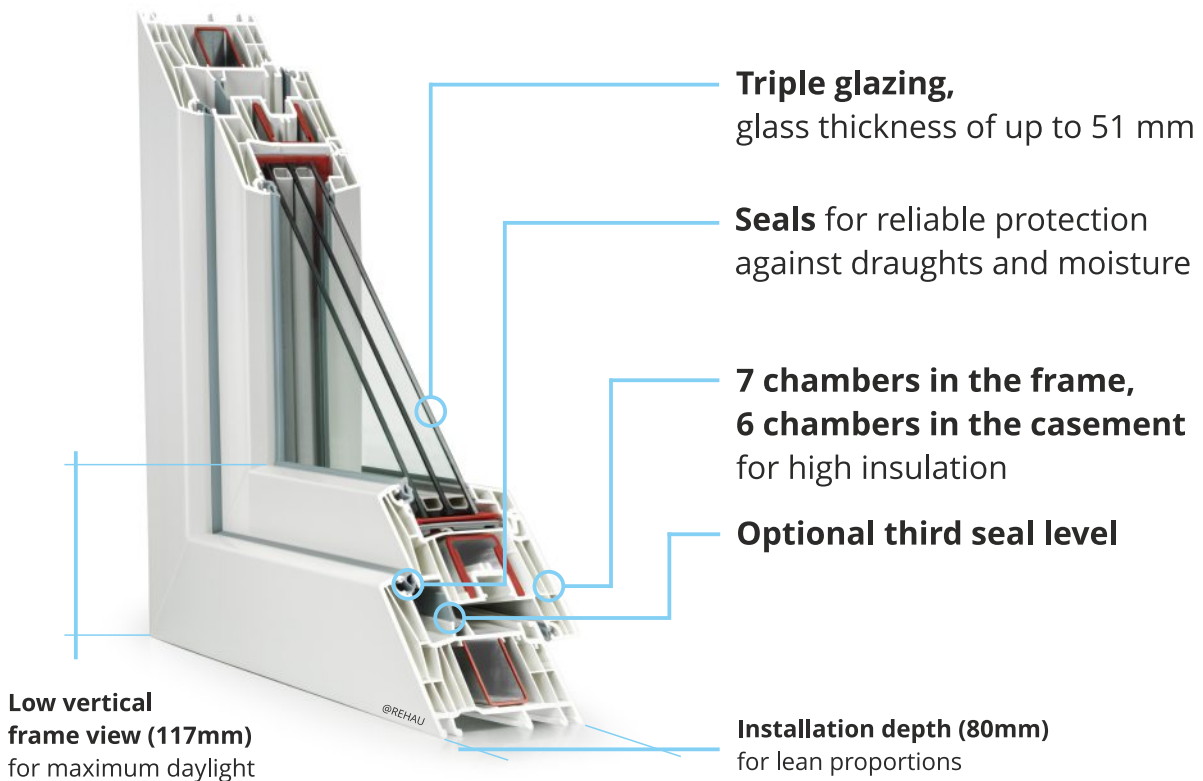




DESIGN
WINDOWS

SYNEGO SYSTEM

- Energy savings of the future – up to 50 % better thermal insulation
- Comfort of peace and quiet for thanks to the best sound resistance
- Safety - Up to 10 times better burglary protection
- Unique design thanks to wide palette of colours and shapes
- High Definition Finishing - technology results in significantly smoother surfaces and displays an exceptionally high gloss that are more difficult for dirt to stick to



Technical specifications:

- Installation depth (80mm) for lean proportions
- 7 chambers in the frame, 6 chambers in the casement
- Thermal insulation window up to $U_w = 0,66 \text{ W/m}^2\text{K}$
- Noise insulation up to $R_{w,p} = 46 \text{ dB}$
- Break-in protection up to RC3
- High Definition Finishing technology

INNOVATIVE METHOD OF CREATING PERFECT WINDOWS

GENEO[®] SYSTEM

- Fully self-reinforced window system without additional steel reinforcement
- Excellent stability due to a high quality material, perfect profile design and an integrated self reinforcement system (IVS)
- When fabricated with appropriate glass, windows made from GENE[®] are Passivhaus certified
- Efficient storage and production due to full self reinforcement
- Functional chambers to optimise the insulating properties with thermomodules
- Reduced closing pressure and therefore noticeably easier opening and closing due to the newly developed gasket geometry
- High definition finished-surface: extremely high quality, exceptionally smooth and therefore particularly easy to maintain
- Sightline of 115 mm to let maximum light in
- Large rebate depth of 66 mm to hold triple glazing



GENEO[®] PHZ - system with certification for passivhaus

- Profile depth: 86mm / Centre seal
- Number of chambers: 6
- Thermal insulation: U_w up to 0.73 W/m²K
- Sound insulation: up to SSK 5 without steel reinforcement, $R_w = 47$ dB with glazing $R_w = 50$ dB
- Burglary resistance: up to resistance class 3
- Air permeability: 4 (DIN EN 12207)
- Protection from driving rain: 9A (DIN EN 12208)

GENEO[®] - RAU-FIPRO[®] fibre composite material

- Profile depth: 86mm / Centre seal
- Number of chambers: 6
- Thermal insulation: U_w up to 1,1 W/m²K
- Sound insulation: up to SSK 5 without steel reinforcement, $R_{w,p} = 47$ dB with glazing $R_w = 50$ dB
- Burglary resistance: up to resistance class 3
- Air permeability: 4 (DIN EN 12207)
- Protection from driving rain: 9A (DIN EN 12208)

INNOVATIVE METHOD OF CREATING PERFECT WINDOWS

BRILLANT-DESIGN SYSTEM

- Individual design solutions for windows and balcony doors
- Wide range of shapes, colours and profiles to your requirements
- Good thermal insulation
- Protection against cold, drafts, dust and moisture provided by two sealants
- Easy maintenance and cleaning by well-established and very smooth REHAU HDF-surface (High-Definition-Finishing)
- High quality materials and construction, proven by numerous load tests

Technical specifications:

- Profile depth: 70 mm and 80 mm
- Number of chambers: 5 and 6
- Thermal insulation: U_w up to 0,9 W/m²K
- Sound insulation: $R_{w,p}$ up to 45 dB
- Burglary resistance: up to RC 3

PERFECT INSULATION, MODERN DESIGN



EURO-DESIGN 70 SYSTEM

- Saving energy with excellent thermal insulation
- Highly stability of windows thanks to steel with a large cross-section
- Wide range of profiles (flush design, semi-flush design)
- Elegant shapes for attractive design
- Wide range of colours
- Ease to clean and upkeep



Technical specifications:

- Profile depth: 70 mm, external sealing
- Number of chambers: 5
- Thermal insulation: U_w up to 0,9 W/m²K
- Sound insulation: R_w = up to 45 db
- Protection against burglary: resistance class up to RC 2

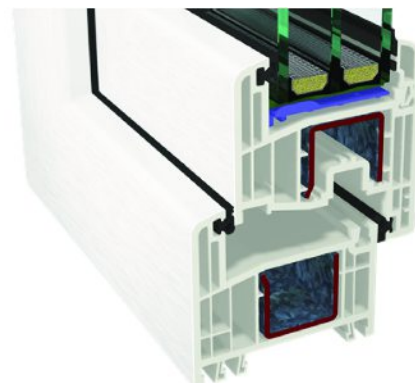
GEALAN S 8000 IQ

- Profiles are available in 5 chambers or 6 chambers system
- Excellent stability thanks to large steel stiffening elements in the frame and sash
- Easy to clean, thanks to a generously large frame rebate
- Highly thermal insulation thank to depth of profiles
- Option of improved room climate and greater living comfort with the patented ventilation system GECCO for a controlled exchange between inside and outside air
- Available in either flush design with a double-bevelled glazing bead, or semi-flush design with round glazing beads
- Available in a wide selection of acrylcolor colours and (wood grain) decor foils
- Efficient use of material in the profile geometry saves resources and thus helps the environment



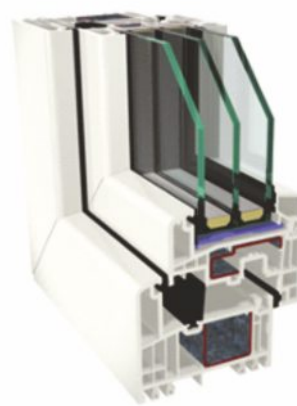
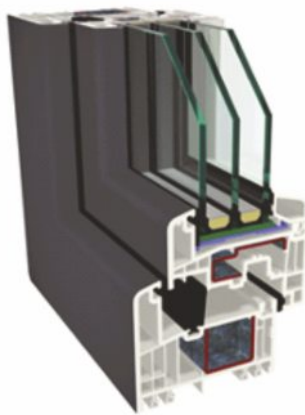
Technical specifications:

- Profile depth: 74 mm
- Number of chambers: 5 and 6
- Glazing: double or triple
- Thermal insulation: $U_w = 0,9 \text{ W/m}^2\text{K}$
- Large main chamber for large steel stiffening elements
- Only one stiffening steel necessary for frames, sashes and mullions



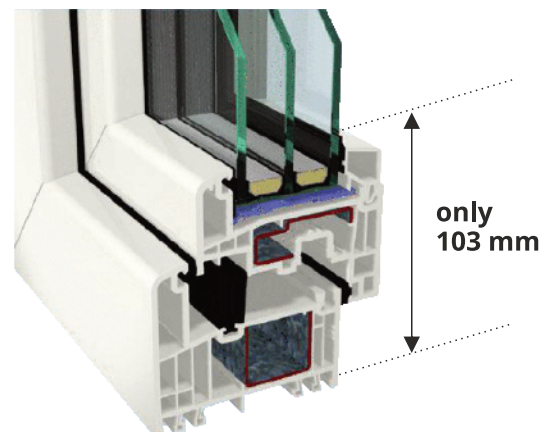
GEALAN S 9000

- Suitable for triple functional glazing with a maximum thickness of 52 mm (STV® 54 mm)
- Narrow visible width and 15° incline as a design feature
- Intelligent sealing concept with up to three end-to-end sealing levels
- Optimized for the use of STV® for dry bonding the pane and sash upstand
- Very good heat and sound insulation thanks to the six-chamber design and large installation depth for the frame and sash
- The combination of STV® technology and traditional steel stiffening elements permits the production of unrivalled element sizes
- It offers the option of building passive house-compatible window elements, including in colour, using standard profiles and standard 2 mm steel stiffening elements



Technical specifications:

- Profile depth: 82,5 mm
- Number of chambers: 6
- Glazing: triple, up to 52 mm
- Thermal insulation: $U_w = 0,74 \text{ W/m}^2\text{K}$
- Up to three end-to-end sealing levels
- Steel depth: 2 mm
- The possibility of structuring of windows up to 2,4 m



IDEAL 8000[®] SYSTEM

- Profile depth: 85 mm
- Number of chambers: 6
- Glazing: double or triple
- up to 3 sealing levels
- Thermal insulation: U_w up to 0,67 W/m²K



IDEAL 7000[®] SYSTEM

- Profile depth: 85 mm
- Number of chambers: 6
- 2 sealing levels
- Thermal insulation: U_w up to 0,70 W/m²K



IDEAL 4000[®] SYSTEM

- Profile depth: 70 mm
- Number of chambers: 5
- 2 sealing levels
- Thermal insulation: U_w up to 0,94 W/m²K

INWEST-PROFIL WOODEN WINDOWS – IP series

- The unique appearance, atmosphere and features of natural wood
- The highest durability and stability of profiles
- Perfect thermal and acoustic insulation
- Ecological – environment friendly

WHAT SHOULD YOU KNOW?

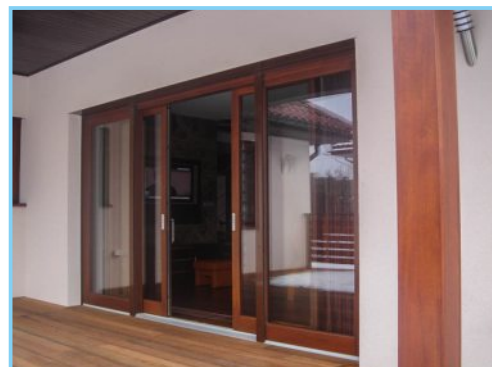
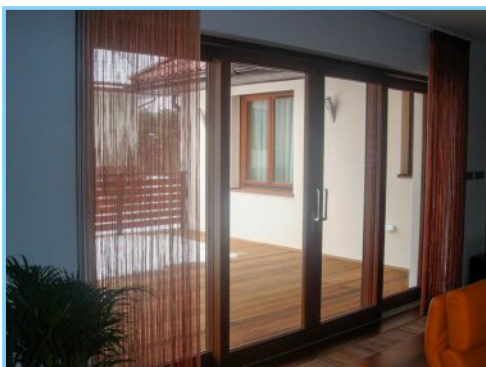
We produce our wooden windows using a selected, high class 3-layered glued wood. This nearly completely eliminates the probability of deformation of profiles.

We create our joinery mainly using pine and „**Red Meranti**” exotic wood. The entire production is carried out based on professional production line: **SAC** machine tool for profiles and **WERTEC** automatic painting machine.

The profiles are protected with **3 layers of varnish**. We apply coatings using paints of known and proven producers, such as: **Sikkens** and **Gori**. Used paints are produced based on water solutions – thanks to this technology windows are „breathing” and are safe for both the user and the environment.

Quality makes no compromise, therefore, based on our long-term experience, we have selected the best components of known and renowned companies for our windows.

The professionalism and commitment of our employees, the cutting-edge components and modern machinery guarantee the highest quality of joinery made by INWEST-PROFIL.



Our wooden profiles systems of IP series are products that meet the highest technical standards. Additional options, different shapes and radius of profiles, as well as a wide range of colours, will satisfy various needs of users.

- Effective damp-proofing (drip cap system)
- Low-emission argon filled glass
- Safe, anti-burglary windows (option)
- Higher acoustic insulation

IP - 92

- Profile depth: 92 mm
- Glazing: triple
- Thermal insulation: U_w up to 0,8 W/m²K
- 3 sealing levels



IP - 68

- Profile depth: 68 mm
- Glazing: double
- Thermal insulation: U_w up to 1,1 W/m²K
- 2 sealing levels

IP - 78

- Profile depth: 78 mm
- Glazing: triple
- Thermal insulation: U_w up to 0,9 W/m²K
- 3 sealing levels



MAXIMUM DURABILITY AND THE NEWEST TREND – WOOD + ALUMINIUM

OPTIONAL ALUMINIUM OVERLAYS

WHAT SHOULD YOU KNOW?

Optional aluminium cladding provides maximum protection for external wooden profiles against harmful weather and environmental conditions.

Moreover, it is a popular aesthetic addition, which perfectly blends with modern trends of building facades design.

Applying this solution allows to maintain the wooden appearance of windows from the inside, while from the outside they are protected and provided with a modern aluminium design in any RAL colour.



SASH WINDOWS

SASH windows – this type of product is mainly intended for British and Irish markets, but is also highly popular in the Netherlands.

- The windows incorporate up-down sliding system, supported by hidden steel weights acting as a counterweight located in the window frame. Thanks to this, opening and closing of the windows is very easy and comfortable
- The advantage of SASH windows is the freedom in terms of interior arrangement they provide, since an opened window does not occupy any space inside a room, thus allowing to design a space regardless of the window size
- A possibility to apply Viennese muntin bars, mounted externally or internally
- The windows are mainly made of pine wood and „Red Meranti“ exotic wood
- Ability to choose any colour from RAL or azure range which provides a visible woodgrain. A possibility to create joinery in two colours



SASH WINDOWS



Technical parameters:

- Frame depth: 154 mm
- Thermal insulation U_w up to $1.1 \text{ W/m}^2\text{K}$
- Glazing: double
- A system with brush seals

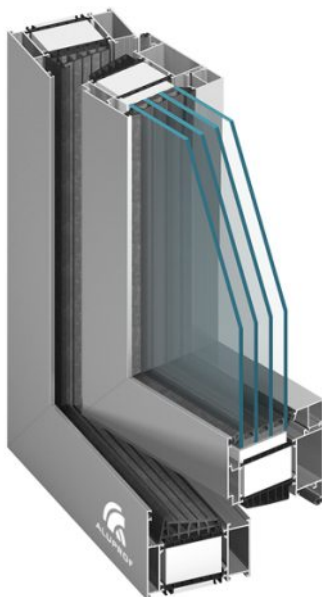
WINDOW & DOOR SYSTEMS

- The offered window and door systems allow for construction of various types of windows and doors depending on the scope of application and particular requirements related to functionality, aesthetics, thermal insulation, burglary protection or fire resistance
- Among them are constructions with no thermal insulation used for building internal partition walls, doors or balcony enclosing and solutions for the outside which are based on profiles with thermal insulation

CERTIFICATE OF PASSIVE HOUSE INSTITUTE DERMSTANDT

MB-104 Passive **EXTERNAL**

- The MB-104 Passive is a thermal break-equipped window & door system that provides the highest thermal insulation performance, and meets all the requirements for passive building components
- The system is used to fabricate exterior architectural development elements, e.g. various types of windows, doors, vestibules, and spatial structures, which are characterized, in addition to the excellent thermal insulation, by a very good sound insulation, water- and air tightness and high structural strength
- The MB-104 Passive system's profile construction comes in two variants, depending on the requirements for thermal energy savings: SI and AERO



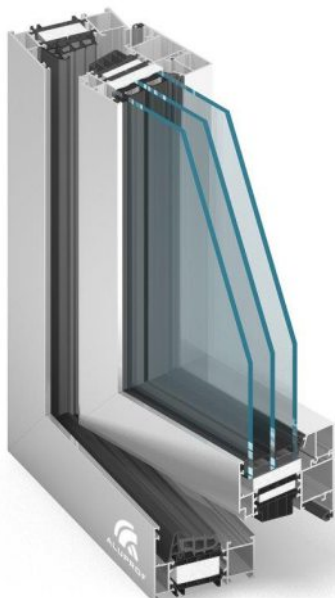
ADVANTAGES OF MB-104 PASSIVE SYSTEM:

- Passive House Institute Darmstadt-certified windows: MB-104 Passive SI and MB-104 Passive Aero
- Excellent thermal insulation performance for openable window: U_w up to $0.53 \text{ W/m}^2\text{K}$ and for door U_d up to $0,62 \text{ W/m}^2\text{K}$
- Standard-exceeding tightness and insulation performance
- Large range of glazing, up to 81 mm
- Exterior doors are available both glazed and panelled – it's a perfect entrance door to a modern home

RECOMMENDED FOR ENERGY EFFICIENT BUILDINGS

MB-86 EXTERNAL

The new MB-86 window and door series have been designed to offer outstanding insulation properties. It meets the increasing requirements from the legislative and general market demands for the enhanced energy saving construction of new windows and doors. Offered in three varieties ST, SI and AERO it is the first aluminium system to employ silica aerogel. Its high pore volume, low solid content, and torturous path amorphous structure give rise to low values of thermal conductivity. Therefore the system features the industry leading thermal performance. In addition it also features exceptional rate of profiles inertia that allows for greater windows in size and weight. Available version with hardware including concealed hinges.

**ADVANTAGES OF MB-86 SYSTEM:**

- High thermal insulation U_w up to $0,72 \text{ W/m}^2\text{K}$
- Large selection of profiles
- Newly shaped, extra thick thermal breaks
- Multi component central gasket
- Glazing strips with additional sealing option
- Glazing up to $67,5 \text{ mm}$ enabling all types of two chamber glazing, acoustic and security, anti burglary glazing
- Large, wire-free glass areas
- Appropriate for variety of hardware including concealed hinges
- Water draining available in both traditional and concealed options
- Highly energy efficient from $0,57 \text{ W/m}^2\text{K}$
- Clean, sharp lines of narrow extruded aluminum framing
- Multitude of finish options

DURABILITY, ENERGY EFFICIENCY AND AESTHETICS IN YOUR HOUSE

PANEL DOORS EXTERNAL

The construction is based on the system of thermally insulated aluminium sections MB-86. The leaf profile is adapted for being joined with special door fills, flush with the door frame on the outside face. They can be mounted to load-bearing profiles by gluing one or two sides. The possibility of using concealed hinges, additionally enhances the aesthetic value of the doors.

It is a very visually attractive and, at the same time, technologically advanced product, which due to its design solutions and the rich diversity of colours for door fill, it can be, not only the functional and durable entrance into your home, but also its mark and decoration. It is available in four versions: ST, SI, SI+ and AERO. On account of their technical parameters, panel doors are a perfect solution for improving the energy efficiency of buildings. They also provide the innovative ability to mount the panel in the structure using a double-sided tape.

Advantages of panel doors:

- SOLID CONSTRUCTION**
 The construction is based on technologically advanced of the system of thermally insulated aluminum sections MB-86
- MODERNITY, STYLE AND EXCELLENT APPEARANCE**
 The filling panels are available in various designs and colours. The techniques for the milling of different shapes, making decorative applications and putting in glass units used in their production provide an endless number of combinations and variants. Thus, such doors can be used in modern houses as well as in classical-style architecture. Nevertheless, they are always a beautiful entrance to a building which attracts attention and brings charm to the entrance façade. Door fills are made of solid and weather-resistant materials. In addition, the external elements are often coated with special lacquers or their surface contains epoxy resins so the panels maintain their representative appearance for a long time. It is also possible to apply unique Teflon paints Finea on them to minimise the sticking of dirt.
- TIGHTNESS AND INSULATION POWER**
 Doors show a very high water- and air-tightness as well as excellent thermal and acoustic insulation power



A WIDE RANGE OF APPLICATIONS

MB-70 EXTERNAL

An aluminium system used to construct elements of external architecture buildings that require very good thermal and acoustic insulation, e.g.: various types of windows, doors, vestibules, showcases, spacious constructions. The system is also provided in a version with an improved thermal insulation, obtained through application of special insulating cartridges inside sections and in the space under the glass. MB-70 system allows to produce anti-burglary windows and doors up to RC4 class, as well as smoke extracting windows. Moreover, various versions of windows are available: a window with the so called „hidden” sash and a version for historical buildings. This system also constitutes a basis for „hot/cold” facades. Furthermore, on the basis of MB-70 system, it is possible to construct windows opened to the outside and pivot windows.

Advantages of MB-70 system:

- A variety of window functions, adapted to the needs of users
- Possibility to bend profiles and construct arched windows
- Various aesthetic solutions provided by windows with a hidden sash, an industrial „steel-like” looking version and strips for three types of glazing: Standard (rectangular), Prestige (rounded) and Style (shaped)
- Single- or two-leaf doors, opened to the outside or inside, including doors with a so called „safe hinges”
- Structures adapted to various types of hardware, e.g. for hinges hidden inside windows, roller hinges in doors
- A basis for solutions of increased thermal insulation
- A possibility to construct two-colour structures: the colour of the external sides of profiles may be different that the colour of the inner sides



LIFTING AND SLIDING DOORS – BALCONIES, TERRACES – LARGE GLAZING

MB-77 HS

EXTERNAL

The "Lift & Slide" door product is an ideal solution for connecting interior space rooms or conservatories with the outside balcony, terrace or garden area. Providing both a smooth and silent slide action operation, it can bring the benefits of a beautiful day outside, into the living space. In addition, and by way of its design and operation, the MB-77HS is a great space saving opening and does not encroach the free space beyond the internal or external confines of the frame, without any compromise. Providing excellent weather tightness together with enhanced thermal performance, the MB-77HS complies with all of the requirements associated with this product type. Available in two different options, with regard to the level of thermal performance, the MB-77HS is further categorised as "ST" and "HI", standard or highly insulated. The design and arrangement of the system profiles enable luxurious openings of large dimensions, accommodating double and even triple glass unit compositions, which in conjunction with the constituent parts and innovative technical solutions, help achieve a high level of thermal and acoustic performance. Due to the system properties, and rigorous performance proven through a stringent testing regime, the MB-77HS is ideally suited to many domestic and retail applications, providing a comfortable, safe working, cost effective and low maintenance solution for the end user.

Advantages of MB-70 HS system:

- Durable and slender profiles enable screens of a low-threshold door of the weight of the leaf of up to 400 kg, height – up to 3.2 m and width - up to 3.3 m
- A wide range of glazing options, allowing application of double or triple glazed units combined with thermal breaks as well as additional inserts, enable achieving high thermal and acoustic insulation of the door
- For aesthetic values glazing beads come in three options: Standard (rectangular), Prestige (rounded) and Style (shaped)
- Unique gasket designs, together with quality hardware, ensure top end weather and air tightness performance
- A large degree of compatibility with the MB-86 system creates an aesthetic combination of the MB-77HS doors with windows, and using the same components in the fabrication process
- A wide range of colour schemes allows for arrangement of doors to meet any individual requirements



FUNCTIONAL VARIETY, SAFETY, DESIGN

MB-60 EXTERNAL

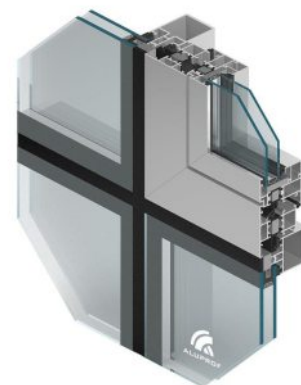
MB-60 is a modern aluminium system intended for realizations of exterior architectural building elements requiring thermal and acoustic insulation.

The MB-60 system is characterised by a low value of the overall heat-transfer coefficient U, thanks to application of the thermal breaks and gaskets.

Its wide selection of compatible components enables to construct various elements from basic thermally insulated windows and doors to pivot and concealed sash windows, industrial type windows with the steel like lookout and security doors. Majority of system varieties are available in both standard and HI version with increased thermal insulation properties.

Advantages of MB-60 system:

- Windows available as fixed, tilt and turn, tilt and slide and pivot
- Hidden vent option
- 1 or 2 leaf doors open in or open out
- Large size door constructions available
- Glazing up to 50 mm
- Burglar resistant secure windows and doors options
- Dual colour options
- Lower cost door option
- Numerous finish options
- Multi-point locking



UNLIMITED ARRANGEMENTS OF SURFACES AND FACADES

MB-SLIDE EXTERNAL

The MB-SLIDE has been designed to meet the needs of users with its easy to operate functions and single or double sliding doors and windows that offer flexibility for variety of project applications. They are suitable for installation in masonry wall and aluminum facades. They can also be used as part of winter gardens and commercial windows.

Sliding doors, especially the ones of large dimensions, visually “enlarge” the living space, by connecting it with an outside terrace or a garden.

Advantages of MB-SLIDE system:

- Wide range of space arrangement possibilities with maximum dimensions of leaves: H: 2600 mm, L: 1800 mm, max. weight 160 kg
- Available different constructional variants from 2 to 6 modules
- Plastic thermal breaks guarantee suitable thermal insulation of aluminium profiles
- Sliding brush gaskets or gaskets made of thermoplastic elastomer TPE, combined with EPDM closing and glazing gaskets, enable obtaining high tightness of the construction
- Compatible with other MB systems
- Silent, smooth operation
- Great number of color options, dual color options



GLASS PARTITION WALLS – ELEGANT OFFICE INTERIORS

MB-45 OFFICE INTERNAL

The MB-45 OFFICE fixed and door-equipped partitioning system is designed to fabricate internal partition walls whose distinguishing feature is their tempered glass pane used as a structural component. The elements of this system enable fabrication of fixed partition walls and all-glass door leaves for hinged and swinging-type doors.

Due to its versatility and wide application possibilities, the MB-45 OFFICE system is dedicated to the fabrication of lightweight, yet solid partition walls in conference rooms and office spaces with “clearly marked” door.

Advantages of MB-45 OFFICE system:

- Light and durable structure
- Design depth: 45 mm
- Infill ranging from 2-25 mm (dedicated, 8, 10 and 12 mm tempered glass panes)
- Continuously mounted glazing gaskets, no more cutting at the corners
- Possibility of changing interior design
- Maximum high of construction up to 4 m



INTERNAL BUILDING ELEMENTS – DESIGN FREEDOM

MB-45 INTERNAL

MB-45 is a modern aluminium system intended for designing elements of architectural exterior and interior enclosures that do not require thermal insulation, e.g. various types of partition walls, windows, manual and automatic sliding doors, swing doors, vestibules, display windows, ticket box offices, showcases and spatial structures.

MB-45 can be used for special scenarios such as fabrication of smokes resistant partition walls & doors MB-45D.

The tightness is assured thanks to application of special gaskets made of EPDM synthetic rubber, which guarantee the resistance to aging during long-lasting exploitation.

MB-45 can be used externally where no thermal insulation is required or also internally as a partition system.



Advantages of MB-45 system:

- Shape of the profiles allows achieving slender and resistant window and door structures
- Possibility to bend the profiles, such as: frames, casements and lacings, what allows creating various types of arches and arch structures
- Window options include, open in side hung, bottom hung, tilt & turn and Slide & Tilt
- Doors available as a single and double leaf open in and open out
- Light construction, easy to install
- Mortise hardware option

FIRE SAFETY

MB-78 EI

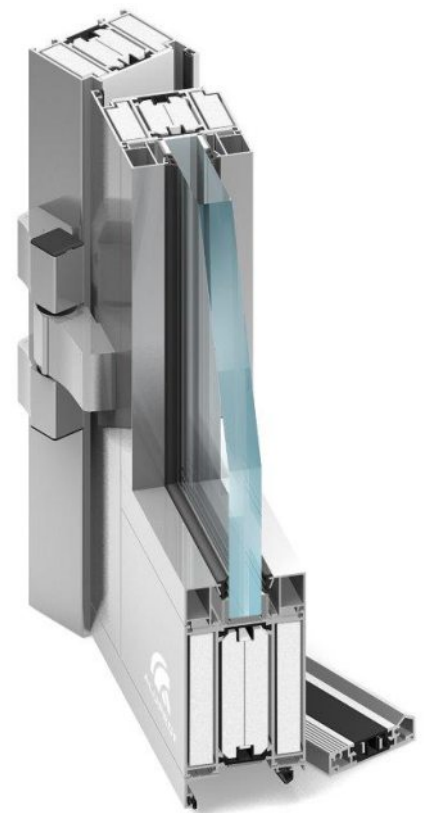
The MB-78EI fire partition system is intended for producing internal or external fire partition walls with single- or double-leaf doors with a fire resistance class of EI 15, EI 30, EI 45, EI 60 or EI 90.

MB-78EI system based transparent, fire-rated wall solution, the so-called muntin-free walls. This allows for the construction of internal partitions walls without the visible vertical wall profiles that separate the individual modules of the wall, while preserving their full fire resistance.

MB-78EI Muntin-free system brings you virtually unlimited design and construction possibilities of very large internal partition walling. Thanks to the transparent modules, all the constructions fabricated using this system make your interiors optically bigger. MB-78EI system also provides security by allowing the arrangement of the building's fire zones, thus ensuring appropriate conditions for the evacuation of people.

Advantages of MB-78EI system:

- Rebated single and double doors up to 2,5 m height or automatic sliding doors MB-78EI DPA up to 2,45 m height
- Wall partitions and door and wall sets of height up to 4,0 m
- Angular door mid-rail option
- Large selection of specialized hardware
- In the Muntin-free system - the joint between the glass panes is only 4 mm and is filled with fireproofing, intumescent material, and with non-inflammable silicone
- Fireproof constructions with hardened glass, that are much stronger and more resistant to impact than not-hardened glass



SMOKE-PROOF SYSTEM

MB-45 D

MB-45D is a modern, smoke proof aluminum system intended for designing elements of architectural exterior and interior enclosures that do not require thermal insulation, e.g. various types of partition walls, windows, manual and automatic sliding doors, swing doors, vestibules, display windows, ticket box offices, showcases and spatial structures.



Advantages of MB-45D system:

- Smoke proof wall partitions and doors in the class Sm, Sa in compliance with the norm EN 13502-2:2008
- Variety of function and ways opening of windows and doors
- Possibility to bend the profiles, what allows creating various types of arches and arch structures

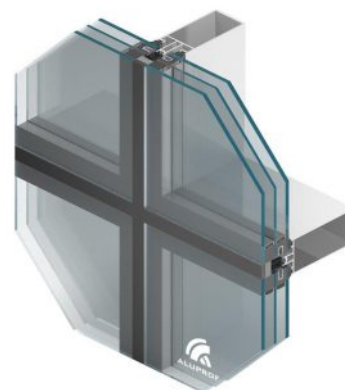
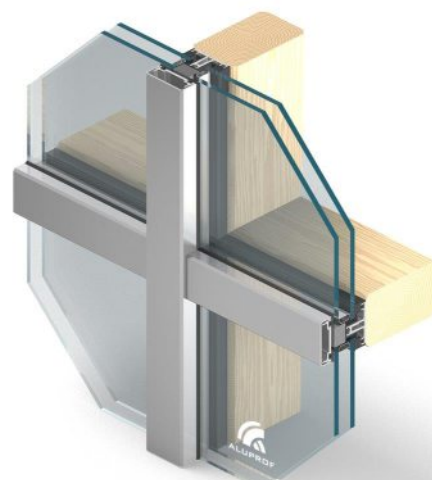
MB-SR50

Thanks to an extensive offer of profiles, architects and designers may implement even the most bold ideas in terms of aluminium and glass structures. The system is also provided in a version with improved thermal insulation parameters (MB-SR50 HI) obtained through application of PE insulator.

The mullion and transom walls system allows to construct external and internal buildings, any type of light curtain walls, large glazed surfaces, as well as spacious structures, such as: rotundas, winter gardens, vestibules, porches, skylights, roofs etc. Moreover, the facade is also offered in a fire-resistant version (MB-SR50 EI).

Advantages of MB-SR50 system:

- Variety of facades and a range of overlay profiles of various shapes allow to obtain numerous variants of facades image
- Angle coupling allow for free shaping of an aluminium building
- A wide choice of elements opened in a façade
- A wide range of glazing and available insulators and accessories allow to obtain a high level of thermal insulation for facades
- Anti-burglary structures of class 2 and 3
- Possibility to bend profiles and build arched structures



WINDOW AND DOOR SYSTEM WITH THERMAL INSULATION

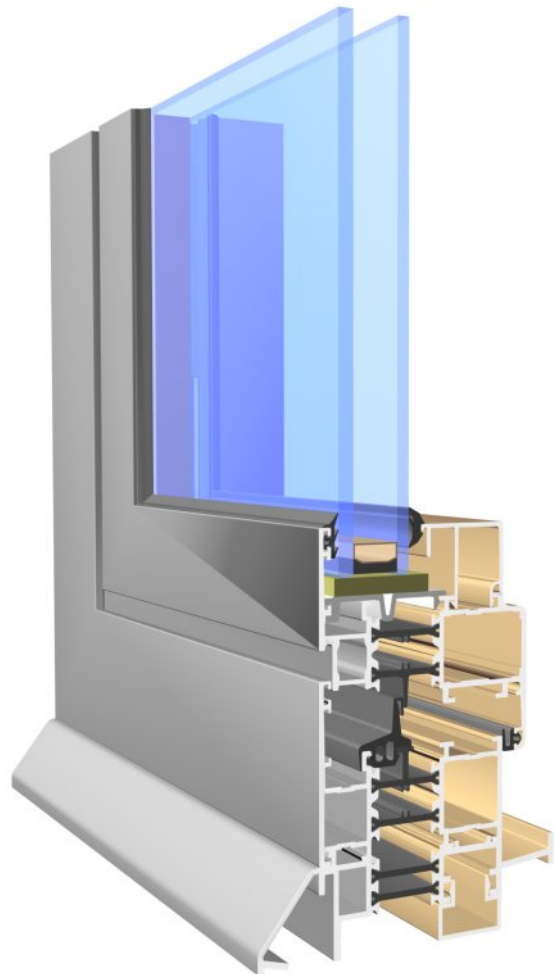
IMPERIAL

IMPERIAL system is a very popular in Nordic countries and on British Isles. Perfectly matching old and stylized manor houses, wood cabins or simple Scandinavian type houses. Shutters are often used with such windows.

- Three-chamber window system with thermal insulation designed for designing windows with hidden sash, invisible from the outside
- High thermal insulation power was achieved by applying special thermal inserts slid between thermal separators and around the glass pane
- Option of installing windows in facade systems
- Design of systems IP i, IP i+ is based on proven, extensive and recognized base system Imperial
- The system is also available in the variant with improved thermal insulation power (IP800i, IP800i+)
- Hidden sash system (IP-SU)

Application of IMPERIAL system:

- Shop windows glazing by single glass or glazing unit
- Tilt and turn window, bottom hung casement, double tilting sliding sash, single side-hung casement
- Windows and doors opening inwards or outwards
- Sliding and swing doors
- Rotating windows with vertical or horizontal axis of rotation



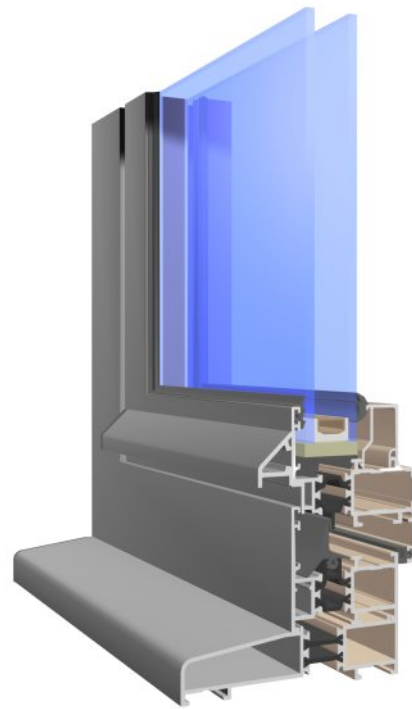
WINDOW AND DOOR SYSTEM WITH THERMAL INSULATION

TRILINE

- Three-chamber window system
- Thermal break

Application of TRILINE system:

- Every type of windows, doors or shop windows
- Shop windows glazing by single glass or glazing unit
- Tilt and turn window, bottom hung casement, double tilting sliding sash, single side-hung casement
- Windows and doors opening inwards or outwards
- Tilt and slide windows with appropriate hardware



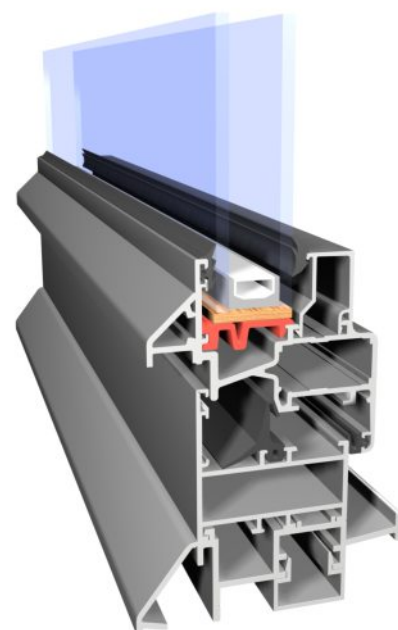
WINDOW AND DOOR SYSTEM WITH THERMAL INSULATION

ECONOLINE

- The system is compatible with all other Aliplast systems

Application of ECONOLINE system:

- The system is designed for designing elements of interior and exterior architecture without thermal insulation: windows, doors, segments of partition walls for general use in public and industrial buildings (in office spaces)
- Possibility of integrating Econoline doors in partition walls, made of Econoline panels or other panels in any design
- Possibility of designing sliding doors and swinging doors, joining walls at any angle, and reinforcing already completed or even installed elements
- Option of bending profiles



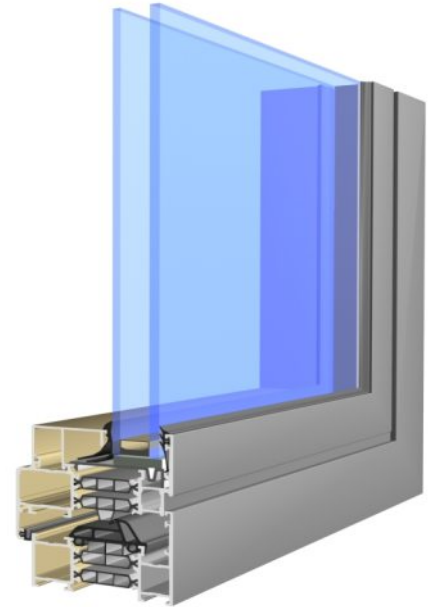
WINDOW AND DOOR SYSTEM OF INCREASED THERMAL INSULATION

SUPERIAL

- Three-chamber window system
- Profile drainage in two variants: traditional and hidden
- Design of systems IP i, IP i+ is based on proven, extensive and recognized base system Imperial
- The system is also available in the variant with improved thermal insulation power (IP800i, IP800i+)
- Hidden sash system (IP-SU)

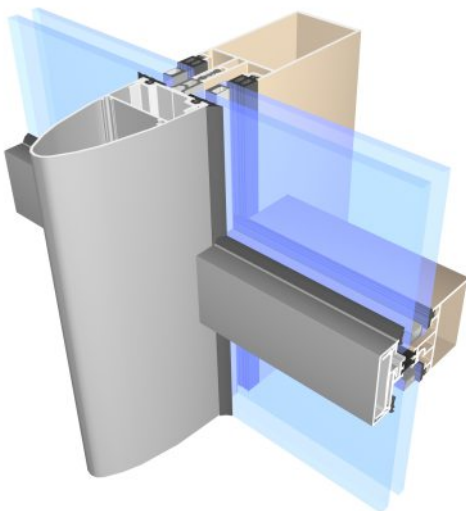
Application of SUPERIAL system:

- Every type of windows and shop windows
- Tilt and turn window, bottom hung casement, double tilting sliding sash, single side-hung casement
- Windows and doors opening inwards



FACADE SYSTEM – LIGHT CURTAIN WALL

MC-WALL



- The curtain wall in the MC Wall system consists of mullions and transoms fastened by stainless steel bolts
- A wide range of mullions and transoms suitable for static requirements
- A wide range of decorative cover caps makes it possible to obtain varied visual effects on the curtain Wall
- The insulators can be built accordingly to the infill thickness

KEEP SUMMER INSIDE YOUR HOUSE

WINTER GARDENS

A winter garden is a great way to „keep summer inside your house,“ which allows us to enjoy greenery throughout the year, regardless of the weather.

A winter garden may be a glazed living room, house garden or a sky sunny dining room. This is a special place, which does not only increase the building and provides it with additional heating, but also improves standard and quality of life.

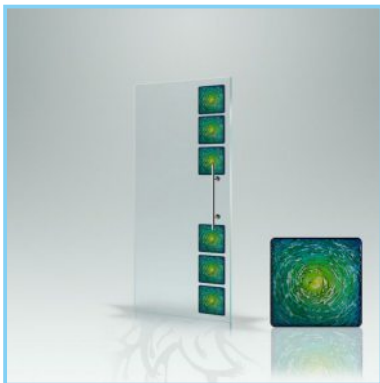
The most commonly used material in construction of such gardens is aluminium. The winter garden captures heat and holds cold, glasses in a winter garden should provide additional insulation and meet safety conditions. Regardless of the weather, a winter garden creates an impression of a direct contact with the nature and landscape.



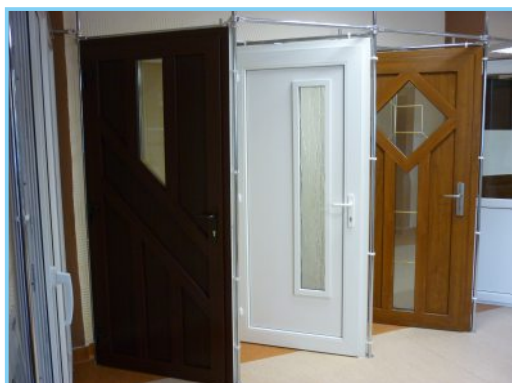
SLIDING DOORS



GLAZED DOORS



EXTERNAL DOORS



GARAGE AND INDUSTRIAL GATES

Inwest-Profil's gates system offers various functionalities and meets the highest quality standards

- **Garage sectional gates**

Sectional gates are intended for all users who value quality, aesthetics and safety. They are available in three types: narrow and horizontal, wide and vertical, and with coffers.

- **Garage roller shutter gates**

The advantage of roller shutter gates is space-saving. A roller shutter gate is a safe and functional solution.

- **Industrial gates**

They can be used in any type of industrial facility, such as: production halls, car washes, diagnostic stations and car workshops, as well as emergency facilities (emergency medical services, fire departments, police stations).

- **Industrial sectional gates type K2IS**

A possibility to install glazed windows or additional doors. Moreover, there is a possibility to apply various types of guiding systems (low, high, vertical, standard). Such solutions provide clients with full comfort in terms of operation of the gates, e.g. they allow to park a vehicle directly in front of a building with a possibility to open and close the gate at the same time.



WINDOWSILLS

A wide range of internal and external windowsills made of various materials and in a wide colour range

- **Internal windowsills made of conglomerate marble**

They contain 95% rock aggregate connected with polyester resin. After impregnation, they may also be used outside and in bathrooms. They are intended for mounting with PVC, wooden and aluminum windows. The material is much more durable compared to natural marble, it is resistant to scratches and does not absorb moisture. It is generally used in finishing constructions to build windowsills, stairs or bath tops.

- **PVC internal chamber windowsills**

A profile made of high quality polyvinyl chloride, laminated using high quality PVC veneers, protected with a protective film during transport and mounting. They are characterised by a perfect thermal insulation, they are light, resistant to scratches and easy to maintain. A wide range of colors allows to choose a finishing surface adapted to any interior.

- **Internal steel windowsills**

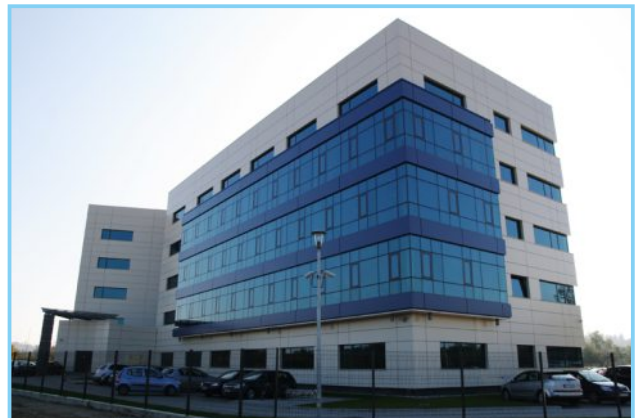
Made of aluminium or galvanised steel sheet protected with many layers and coated with polyester paint resistant to various weather conditions. They are intended for mounting outside with PVC windows. Their advantage is aesthetics and durability at low price. They are available in different colours and dimensions upon client's request.



EXEMPLE OF IMPLEMENTATIONS



EXAMPLE OF IMPLEMENTATIONS



EXEMPLE OF IMPLEMENTATIONS



EXEMPLE OF IMPLEMENTATIONS



Information included in this catalogue is provided for reference only and is not a commercial offer within the meaning of Art. 66 §1 of the Civil Code and other relevant legal regulations.

Invest-Profil does not take any liability for any errors in print or typesetting.

We reserve the right to make changes, including technical modifications, without prior notice.

The catalogue is protected with copyrights.

All rights reserved.

INWEST-PROFIL

INWEST-PROFIL Spółka z ograniczoną odpowiedzialnością sp. k.

Bajdy 206 k/Krosna, 38-471 Wojaszówka

Phone (13) 43 858 75

Fax (13) 43 850 38

e-mail: biuro@inwestprofil.pl

www.inwestprofil.pl